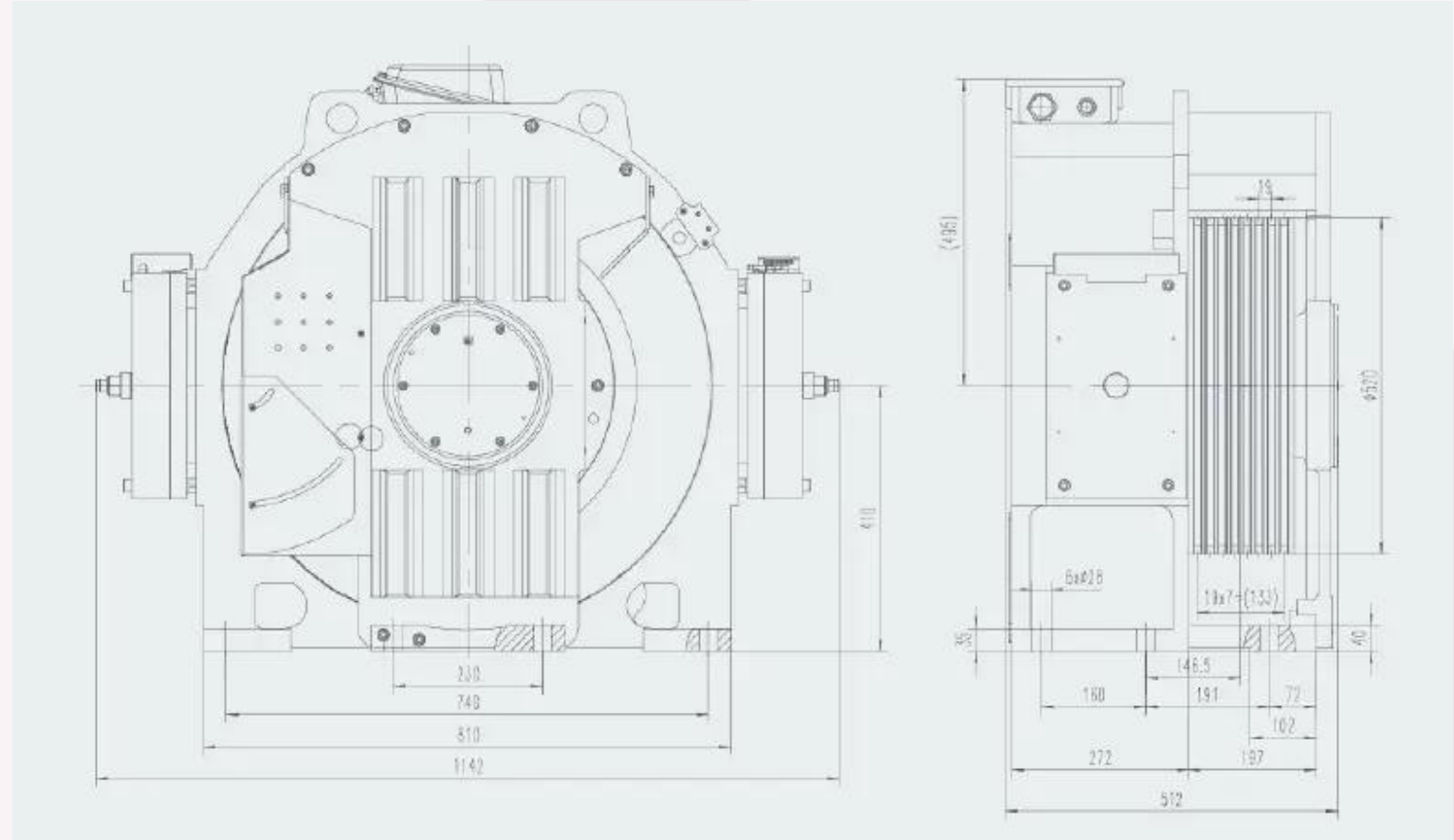
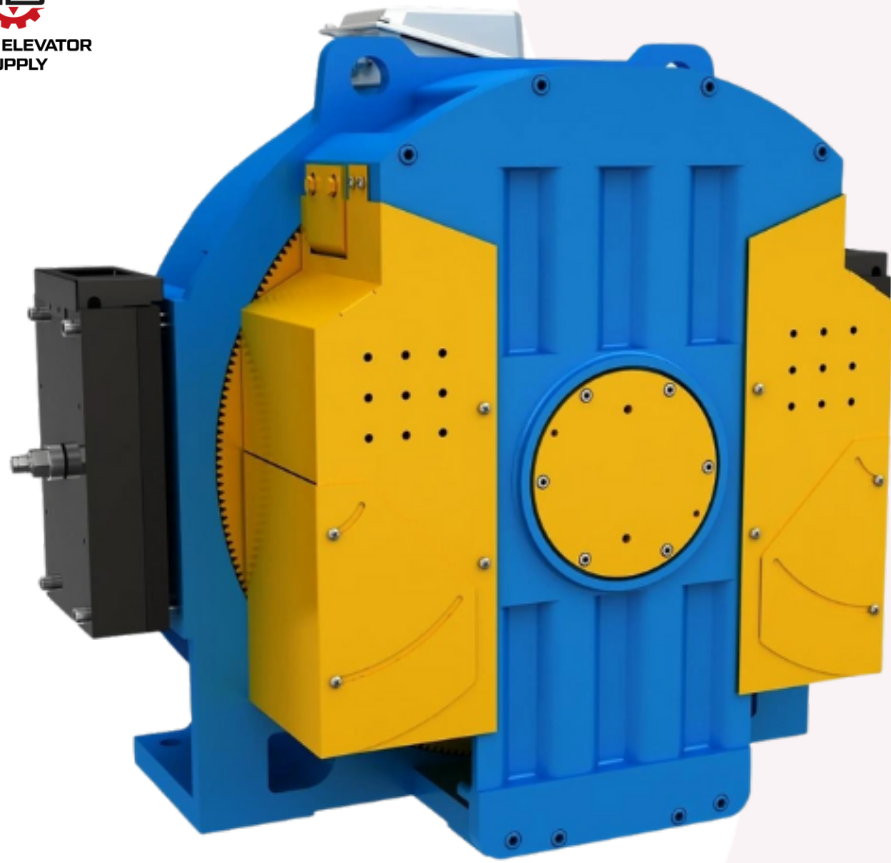


MINI 9 (GEARLESS)



Product Specs

Traction ratio: 1:1, 2:1
Rated capacity: 1600, 3500 kg
Rated elevator speed: 1, 1.5, 1.75, 2, 2.5, 3 m/s
Max. lifting height: 120m
Max. shaft load: 10000kg
Applicable converter: 3 phase 400V
Brake voltage: DC110V
Traction sheave diameter: \emptyset 520mm

型号 Type	规格 Specification	曳引比 Traction Ratio	梯速 Speed (m/s)	载重 Load (kg)	功率 Power (kW)	转速 Rev (r/min)	频率 Frequency (Hz)	电流 Current (A)	转矩 Torque (N·m)	绳规 Rope	自重 Weight (kg)	推荐提升高度 Recommended lifting height (m)
Mini	9-10-1600-1	1:1	1.0	1600	10.4	36.8	9.2	27.5	2700	8×Φ13	1030	45
	9-15-1600-1		1.5		15.6	55.2	13.8	40				70
	9-17.5-1600-1		1.75		18.2	64.4	16.1	43.4				80
	9-20-1600-1		2.0		20.8	73.6	18.4	51.5				80
	9-25-1600-1		2.5		26.0	92	23	61				120
	9-30-1600-1		3.0		31.2	110	27.5	72				120
	9-5-3500-2		0.5		11.4	36.8	9.2	31				2955
9-10-3500-2	1.0	22.8	73.6	18.4	54	45						
9-15-3500-2	1.5	34	110	27.5	79	60						
9-17.5-3500-2	1.75	39.7	128.4	32.1	93	70						
9-20-3500-2	2.0	45.4	146.8	36.7	103	80						