

# NUMEN 420 (GEARLESS)



## Product Specs

**Traction ratio:** 1:1, 2:1

**Rated capacity:** 2500, 5000kg

**Rated elevator speed:** 1.0, 1.5, 1.75, 2, 2.5, 3.0m/s

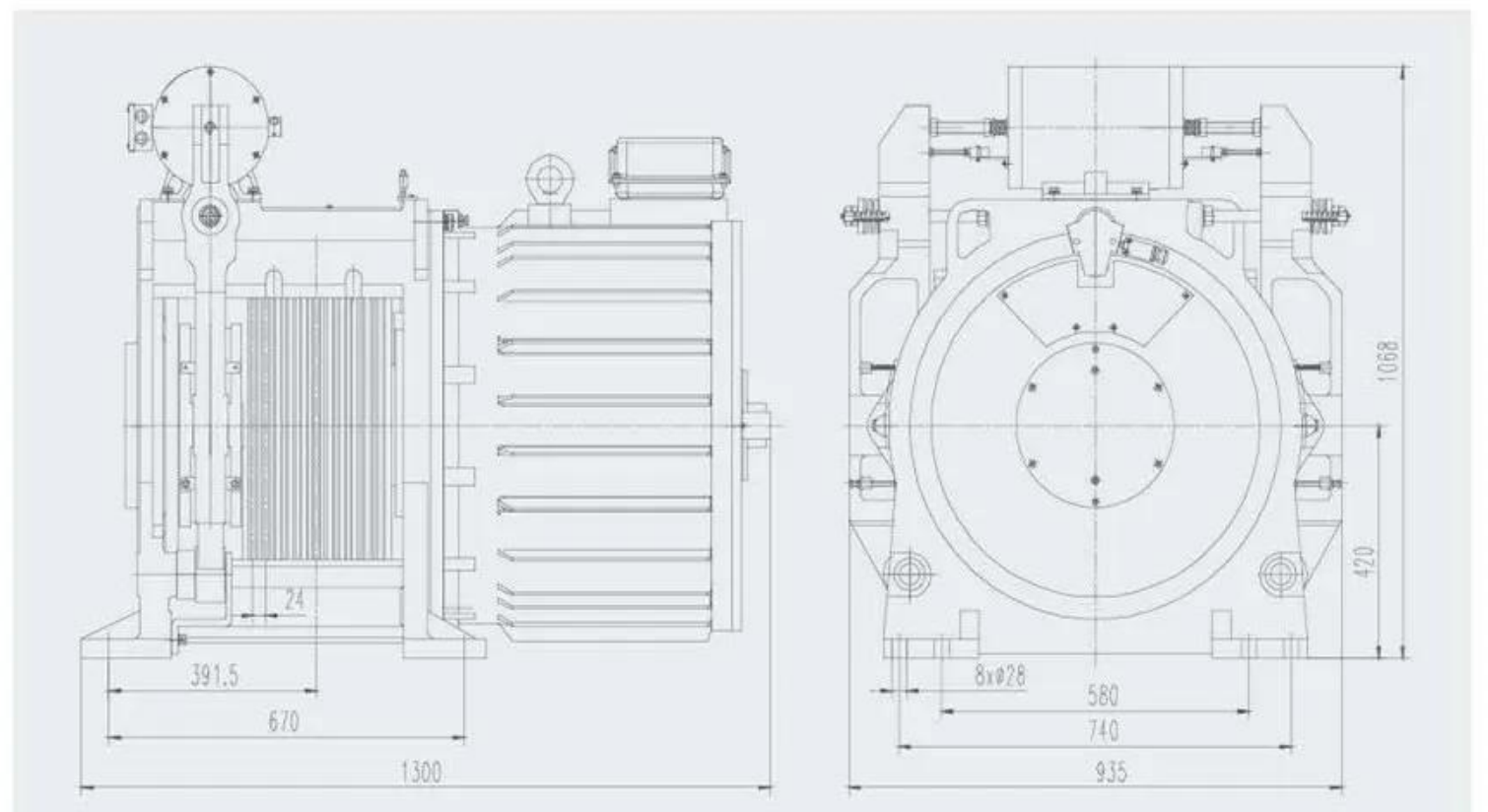
**Max. lifting height:** 50-120m

**Max. shaft load:** 20000kg

**Applicable converter:** 3 phase 400V

**Brake voltage:** DC200V for Brake opening, and DC100V for brake holding

**Features:** Low-energy, Low noises, Non-pollution, Less maintenance



型号 Type	曳引比 Traction ratio	梯速 Speed (m/s)	载重 Load (kg)	功率 Power (kW)	转速 Rev (r/min)	频率 Frequency (Hz)	电流 Current (A)	转矩 Torque (N·m)	绳规 Rope	自重 Weight (kg)	推荐提升高度 Recommended lifting height (m)
Numen420-10-5000-2	2:1	1.0	5000	31.7	58.8	14.7	76	5150	9×φ16	2400	50
Numen420-16-5000-2		1.6	5000	50.7	94	23.5	120	5150	10×φ16		70
Numen420-17.5-5000-2		1.75	5000	55.5	102.8	25.7	135	5150	11×φ16		80
Numen420-20-5000-2		2.0	5000	63.4	117.6	29.4	156	5150	11×φ16		80
Numen420-10-2500-1	1:1	1.0	2500	15.9	29.2	7.3	42	5150	9×φ16		50
Numen420-16-2500-1		1.6	2500	25.4	47.2	11.8	59	5150	10×φ16		70
Numen420-17.5-2500-1		1.75	2500	27.7	51.6	12.9	68	5150	11×φ16		80
Numen420-20-2500-1		2.0	2500	31.7	58.8	14.7	76	5150	11×φ16		80
Numen420-25-2500-1		2.5	2500	39.6	73.6	18.4	97	5150	11×φ16		120
Numen420-30-2500-1		3.0	2500	47.6	88	22	117	5150	11×φ16		120