

YJ240 (GEARED TRACTION)



Product Specs

Traction ratio: 1:1, 2:1

Rated capacity: 750, 1000, 1250, 3000kg

Rated elevator speed: 0.63, 0.75, 1.5, 1.75, 2.0m/s

Static capacity: 6000kg

Max. lifting height: 80m

Deadweight: 700kg

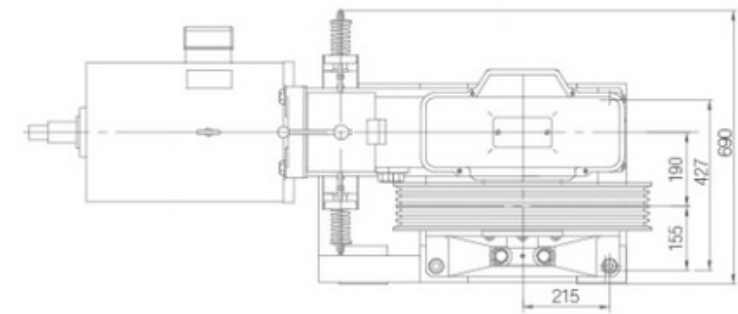
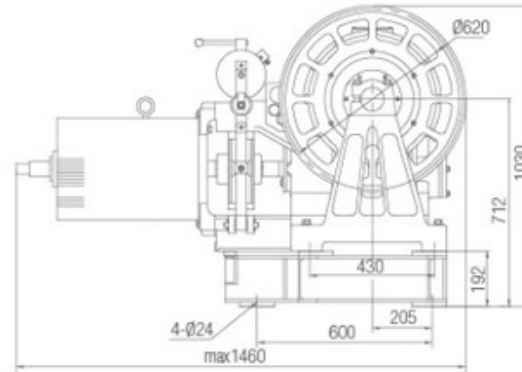
Noise level: <64dB(A)

Torsional vibration: <2.0mm/s

Horizontal and vertical vibrations: <0.8mm/s

Mounting: Mounted in machine room

Arrangement: Left side or right side



| 型号 Type | 规格 Specification | 曳引比 Traction Ratio | 额定梯速 Rated Speed (m/s) | 额定载重 Rated Load (kg) | 静态载重 Static Capacity (kg) | 速比 Reduction Ratio | 曳引轮规格 Specification of Traction Sheave | 槽距 Groove Spacing (mm) | 电机型号 Type of Motor | 功率 Power (kw) | 电机转速 Motor Speed (r/min) | 电源 Power Source (V/Hz) | 电流 Current (A) | 自重 Weight (kg) | 推荐提升高度 Recommended lifting height (m) |
|------------|---------------------|-----------------------|---------------------------|-------------------------|------------------------------|-----------------------|---|---------------------------|-----------------------|------------------|-----------------------------|---------------------------|-------------------|-------------------|--|
| YJ240 | A-I | 1:1 | 0.75 | 1000 | 6000 | 1:56 | Ø620-5-13 | 19 | YPTD160M1-4B1 | 9.00 | 1300 | 380/45 | 18.8 | 656 | 40 |
| | B-I | | 1.50 | 750 | | 2:55 | Ø620-5-13 | 19 | YPTD160L1-4B1 | 13.0 | 1300 | 380/45 | 26.4 | | 80 |
| | B-II | | 1.75 | 750 | | 2:55 | Ø620-5-13 | 19 | YTD160L1-4 | 13.0 | 1456 | 380/50 | 26.2 | | 80 |
| | B-III | | 1.50 | 1000 | | 2:55 | Ø620-6-13 | 19 | YTD160L2-4B1 | 15.0 | 1300 | 380/45 | 30.3 | | 80 |
| | B-IV | | 1.75 | 1000 | | 2:55 | Ø620-6-13 | 19 | YPTD160L2-4 | 15.0 | 1456 | 380/50 | 29.9 | | 80 |
| | B-V | | 1.75 | 1000 | | 2:55 | Ø620-6-13 | 19 | YPTD180M1-4 | 18.5 | 1470 | 380/50 | 35.9 | | 80 |
| | B-VIII-1 | | 1.50 | 1250 | | 2:55 | Ø620-6-13 | 19 | YPTD180M1-4B1 | 18.5 | 1300 | 380/45 | 35.7 | | 80 |
| | E-IV-1 | | 1.75 | 1250 | | 3:55 | Ø620-6-13 | 19 | YPTD180L1-6 | 18.5 | 970 | 380/50 | 37.1 | | 80 |
| | C-I | | 0.63 | 1000 | | 1:49 | Ø620-5-13 | 19 | YPTD160M3-6 | 9.00 | 967 | 380/50 | 18.7 | | 30 |
| | C-II | 1.00 | 1000 | 1:49 | Ø620-5-13 | 19 | YPTD160M2-4 | 11.0 | 1456 | 380/50 | 22.5 | 50 | | | |
| | D-II-1 | 2.00 | 1250 | 2:49 | Ø620-6-13 | 19 | YPTD180M2-4 | 22.0 | 1470 | 380/50 | 42 | 80 | | | |
| | D-I | 2.00 | 1000 | 2:49 | Ø620-6-13 | 19 | YPTD180M2-4 | 22.0 | 1470 | 380/50 | 42 | 80 | | | |
| | E-I | 2.50 | 1000 | 3:55 | Ø620-6-13 | 19 | YPTD180L-4 | 26.0 | 1470 | 380/50 | 49 | 80 | | | |
| | C-IV | 0.63 | 1250 | 1:49 | Ø620-6-13 | 19 | YPTD160L1-6 | 11.0 | 967 | 380/50 | 22.9 | 30 | | | |
| | A-II | 0.75 | 1250 | 1:56 | Ø620-6-13 | 19 | YPTD160M2-4B1 | 11.0 | 1300 | 380/45 | 22.6 | 40 | | | |
| | C-V | 1.00 | 1250 | 1:49 | Ø620-6-13 | 19 | YPTD160L1-4 | 13.0 | 1456 | 380/50 | 26.2 | 50 | | | |
| | E-III | 1.75 | 1000 | 3:55 | Ø620-6-13 | 19 | YPTD180M-6 | 15.0 | 970 | 380/50 | 30.3 | 80 | | | |
| | B-VIII | 1.50 | 1250 | 2:55 | Ø620-7-13 | 18 | YPTD180M1-4B1 | 18.5 | 1300 | 380/45 | 35.7 | 80 | | | |
| | E-IV | 1.75 | 1250 | 3:55 | Ø620-7-13 | 18 | YPTD180L1-6 | 18.5 | 970 | 380/50 | 37.1 | 80 | | | |
| | D-II | 2.00 | 1250 | 2:49 | Ø620-7-13 | 18 | YPTD180M2-4 | 22.0 | 1470 | 380/50 | 42 | 80 | | | |
| | B-VI | 2.00 | 1250 | 2:55 | Ø690-7-13 | 18 | YPTD180M2-4 | 22.0 | 1470 | 380/50 | 42 | 80 | | | |
| | D-III | 1.00 | 3000 | 2:49 | Ø620-7-13 | 18 | YPTD180L-4 | 26.0 | 1470 | 380/50 | 49 | 40 | | | |
| | D-IV | 0.63 | 3000 | 2:49 | Ø620-7-13 | 18 | YPTD180L1-6 | 18.5 | 970 | 380/50 | 37.1 | 35 | | | |

